



# AUGER DRIVES & TRENCHERS FOR MACHINES UP TO 50 TONNE

MACHINERY ATTACHMENTS EUROPE | [WWW.DIGGAEUROPE.COM](http://WWW.DIGGAEUROPE.COM)





**A TRUSTED  
REPUTATION  
FOR DELIVERING  
QUALITY PRODUCTS  
THAT PERFORM**

Founded in 1981 in Brisbane, Australia, Digga specialise in the design & manufacture of planetary gearboxes & machinery attachments for the earthmoving & construction industry. Digga have 5 company owned facilities around the world to ensure prompt and efficient service through our extensive professional global dealer network.

**DIGGA** is your trusted source for new machinery attachments for the earthmoving & construction equipment industry

**WE ARE DRIVEN TO MAKE YOU SUCCEED**  
WITH PROVEN EXPERTISE IN PROVIDING ATTACHMENT SOLUTIONS.



# DIGGA MANUFACTURING – NOT JUST ASSEMBLERS WE ARE THE ORIGINAL MANUFACTURER



Europe - Berkshire, Hungerford

100% Privately owned, Digga is the largest manufacturer and exporter of planetary gearboxes for machinery attachments. Formed in 1981 by founder Stewart Wright, Digga pioneered pendulum drilling in Australia and today produce the largest range of compact high torque planetary drives for the pendulum drilling and attachment industry. As the largest attachment manufacturer in Australia, globally Digga specialises in drilling and trenching attachment solutions.

Not just an assembler, Digga is the original gearbox designer and manufacturer. Our products are built in-house to the highest of standards, offering the best product warranties in the industry.

A multi-award winning company, recognised for our innovative approach to leading edge design and superior manufacturing quality, Digga is committed to providing total solutions worldwide for drilling and trenching.

5 company owned manufacturing facilities around the world, 24hr a day engineering support.

Our Europe factory boasts a state of the art 1,200sqm (13,000 sq ft) facility in Hungerford, Berkshire.

Digga products are distributed by a dedicated professional dealer network. Local country manufacturing and professional support ensures fast and efficient service.

## OUR PHILOSOPHY

*Simply, to help our customers be successful.*

The trend these days is for companies to outsource to low cost countries. We endeavour to make an affordable product, but are not willing to sacrifice our goals, or our product quality.

**QUALITY**  
**SERVICE**  
**RELIABILITY**  
**GUARANTEED**

# DRILLING & TRENCHING MACHINERY ATTACHMENT SPECIALISTS SINCE 1981



## AUGER DRIVES

- For all machine types, diversify your Excavator, Tractor, Skid Steer, Backhoe plus more.
- Most comprehensive range to maximize your machine's performance.
- DIGGA planetary, powered by EATON hydraulic motors – Guaranteed performance.



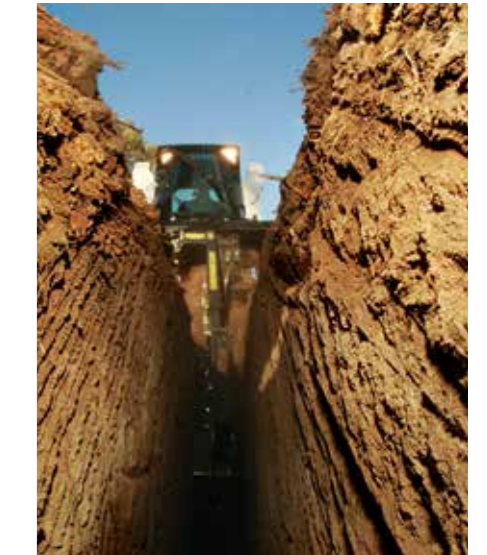
## ACCESSORIES

- A total solutions provider, DIGGA provide a comprehensive range of accessories to enhance performance and optimise your returns.
- Manufacturers of accessories - Diggalign, ECV, Torque measuring systems, hitches, frames plus more.



## ROCK DRILLING

- Providing the right solutions for a variety of host machines. Choose from our multipurpose combination augers for all ground conditions or dedicated rock augers for heavy duty rock drilling.



## TRENCHING

- Turning host machines into multipurpose, high return tool carriers.
- Quick attach, easy connection for Skid Steers, Excavators and Backhoes.
- High performance attachment with great return on investment.

# AUGER DRIVES

## THE MOST ADVANCED AUGER DRIVE YOU'VE EVER OWNED OR OPERATED

NOT JUST AN ASSEMBLER, DIGGA IS THE ORIGINAL  
GEARBOX DESIGNER AND MANUFACTURER

OUR CORE EXPERTISE 1,000 NM – 500,000 NM  
AND EVERYTHING IN BETWEEN



### INTEGRATED MOTOR AND OUTPUT HOUSING



In a joint effort with Eaton we have developed a range of custom hydraulic motors specifically designed for attachments, utilising EATON Geroler technology. The new designs significantly reduce the weight and overall length of the drives.

The hydraulic motor is integrated into the input housing. By merging the motor with the input housing, allowing direct connection to the gearset, we have eliminated the need for several gearbox components.

The new design significantly reduces the weight and overall length of the drives.

The high flow range (6000 Series) has an integrated pressure relief valve. No more bulky valve block. Eliminating several hydraulic fittings reducing potential leak points.

Hydraulic motor port locations have been relocated to be in the ideal location. This places your hydraulic hoses and fittings at a location and angle that is ideal for drilling.



### MORE COMPACT DESIGN, LESS MAINTENANCE

No compromise in quality, gears are precision machined from a high grade alloy steel, specifically formulated for the manufacturing of high performance gears.

Compact design allows for greater length under the drive for augers or pile installation, drives can go down the hole for added length when drilling.

### DESIGN AND DEVELOPMENT

Digga utilizes advanced 3D modeling software, finite analysis, cyclic testing, and extensive in field testing to ensure a product that performs, day in and day out.

### EXTENSIVE WARRANTY

100% Money Back, Customer satisfaction guarantee.



### 2 PIECE SHAFT DESIGN

The Digga shaft is a separate component to the planetary carrier, isolating the planetary gears from the pushing, pulling and bending forces generated by the machine.

Highest shaft pullout rating in the industry, with heavy duty, custom designed lock nut.

Lifetime warranty on shaft pullout.

### HIGHEST SIDE LOAD RATINGS

More than double the side load capacity of any other gearbox on the market.

Under torque load, Digga's two piece shaft design ensures there is no increased load on the bearings. The bearings do the job they were designed for, efficiently maintaining axial and side loading.





## Micro EXCAVATORS 750kg-2T

	SINGLE SPEED			SINGLE SPEED			
MODEL	PDD	PDX2	PDX3	PD3	PD4	PD5	PD6
Max Torque (Nm) @ 240 Bar**	1,171	2,307	2,831	3,544	4,448	5,151	5,596
Recommended Flow (lpm)**	15-45	30-50	30-55	45-75	55-85	60-95	70-115
Motor Type	EATON 2K Bell	EATON 2K Bell	EATON 2K Bell	EATON 2K Bell	EATON 2K Bell	EATON 2K Bell	EATON 2K Bell
Max Pressure - Do not exceed**	240 Bar @ 60 lpm			240 Bar @ 60 lpm			
Max Flow - Do not exceed**	115 lpm @ 130 Bar	115 lpm @ 130 Bar	115 lpm @ 130 Bar	115 lpm @ 135 Bar			
Max Continuous Power**	25 Kw (34 hp)			25 Kw (34 hp)			
Pressure Relief Valve	Optional	Optional	Optional	Optional	Optional	Optional	Optional
Energy Control Valve	N/A	N/A	N/A	N/A	N/A	N/A	N/A
Case Drain Required	No	No	No	No	No	No	No
Standard Output Shaft	65mm Rnd	65mm Rnd	65mm Rnd	65mm Rnd	65mm Rnd	75mm Sq	75mm Sq
Weight (kg)	46	48	48	57	58	67	89
Overall Length (mm)	557	557	579	579	579	579	730
Diameter (mm)	187	187	187	240	240	240	240
Recommended Auger	A4 / RC4 / DR4	A4 / RC4 / DR4	A4 / RC4 / DR4	A4 / RC4 / DR4	A4 / RC4 / DR4	A6 / RC6 / DR6	A6 / RC6 / DR6
Max Auger Diameter Fracturable Rock*	N/A	450	500	600	750	900	900
Max Auger Diameter Clay/shale (mm)*	400	450	500	600	750	900	900
Max Auger Diameter Earth (mm)*	500	600	600	750	900	1,000	1,000

(\*) Max/min drilling diameter (DIA) dependant on ground conditions. Recommendation is a guide only.

(\*\*) These charts have been created as a guide only. Please see back cover for more information.

## Mini EXCAVATORS 2T-5T

## Mid EXCAVATORS / BACKHOES 5T-10T

## 2T - 10T EXCAVATOR / BACKHOE TWO SPEED DRIVES

	SINGLE SPEED						TWO SPEED			
MODEL	PD4	PD5	PD6	PD7	PD8	PD10	PDT4HF	PDT6HF	PDT8HF	PDT10HF
Max Torque (Nm) @ 240 Bar**	4,448	5,151	5,596	6,040	7,024	8,487	4,673	5,758	7,881	9,916
Recommended Flow (lpm)**	55-85	60-95	70-115	75-115	80-115	85-115	40-120	40-150	40-150	40-150
Motor Type	EATON 2K Bell	EATON 2K Bell	EATON 2K Bell	EATON 2K Bell	EATON 2K Bell	EATON 2K Bell	EATON VIS	EATON VIS	EATON VIS	EATON VIS
Max Pressure - Do not exceed**	240 Bar @ 60 lpm						240 Bar @ 150 lpm			
Max Flow - Do not exceed**	115 lpm @ 130 Bar						180 lpm @ 200 Bar			
Max Continuous Power**	25 Kw (34 hp)						60 Kw (80 hp)			
Pressure Relief Valve	Optional	Optional	Optional	Optional	Optional	Optional	Included	Included	Included	Included
Energy Control Valve	N/A	N/A	N/A	N/A	N/A	N/A	Optional	Optional	Optional	Optional
Case Drain Required	No	No	No	No	No	No	Yes	Yes	Yes	Yes
Standard Output Shaft	75mm Sq	75mm Sq	75mm Sq	75mm Sq	75mm Sq	75mm Sq	75mm Sq	75mm Sq	75mm Sq	75mm Sq
Weight (kg)	58	67	89	90	112	112	134	146	165	165
Overall Length (mm)	579	579	730	734	854	854	820	820	952	952
Diameter (mm)	240	240	240	240	290	290	340	340	340	340
Recommended Auger	A6 / RC6 / DR6	A6 / RC6 / DR6	A6 / RC6 / DR6	A6 / RC6 / DR6	A8 / RC8 / DR8	A8 / RC8 / DR8	A6 / RC6 / DR6	A6 / RC6 / DR6	A8 / RC8 / DR8	A8 / RC8 / DR8
Max Auger Diameter Fracturable Rock*	750	900	900	900	1,000	1,000	750	900	1,000	1,000
Max Auger Diameter Clay/shale (mm)*	750	900	900	900	1,000	1,000	750	900	1,000	1,000
Max Auger Diameter Earth (mm)*	900	1,000	1,000	1,000	1,200	1,500	1,000	1,200	1,200	1,500

(\*) Max/min drilling diameter (DIA) dependant on ground conditions. Recommendation is a guide only.

(\*\*) These charts have been created as a guide only. Please see back cover for more information.

# LARGE BACKHOES

	SINGLE SPEED				TWO SPEED			
MODEL	PD4HF	PD6HF	PD8HF	PD10HF	PDT4HF	PDT6HF	PDT8HF	PDT10HF
Max Torque (Nm) @ 240 Bar**	4,473	5,634	7,136	9,690	4,673	5,758	7,881	9,916
Recommended Flow (lpm)**	50-150	60-150	80-200	100-200	40-120	40-150	40-150	40-150
Motor Type	EATON 6K Bell	EATON 6K Bell	EATON 6K Bell	EATON 6K Bell	EATON VIS	EATON VIS	EATON VIS	EATON VIS
Max Pressure - Do not exceed**	240 Bar @ 130 lpm				240 Bar @ 150 lpm			
Max Flow - Do not exceed**	170 lpm @ 180 Bar	210 lpm @ 145 Bar	230 lpm @ 130 Bar	230 lpm @ 130 Bar	180 lpm @ 200 Bar			
Max Continuous Power**	50 Kw (67 hp)				60 Kw (80 hp)			
Pressure Relief Valve	Included	Included	Included	Included	Included	Included	Included	Included
Energy Control Valve	Optional	Optional	Optional	Optional	Optional	Optional	Optional	Optional
Case Drain Required	No	No	No	No	Yes	Yes	Yes	Yes
Standard Output Shaft	75mm Sq	75mm Sq	75mm Sq	75mm Sq	75mm Sq	75mm Sq	75mm Sq	75mm Sq
Weight (kg)	125	149	149	149	134	146	165	165
Overall Length (mm)	950	950	950	950	820	820	952	952
Diameter (mm)	290	290	290	290	340	340	340	340
Recommended Auger	A6 / RC6 / DR6	A6 / RC6 / DR6	A8 / RC8 / DR8	A8 / RC8 / DR8	A6 / RC6 / DR6	A6 / RC6 / DR6	A8 / RC8 / DR8	A8 / RC8 / DR8
Max Auger Diameter Fracturable Rock*	750	900	1,000	1,000	750	900	1,000	1,000
Max Auger Diameter Clay/shale (mm)*	750	900	1,000	1,000	750	900	1,000	1,000
Max Auger Diameter Earth (mm)*	1,000	1,200	1,200	1,500	1,000	1,200	1,200	1,500

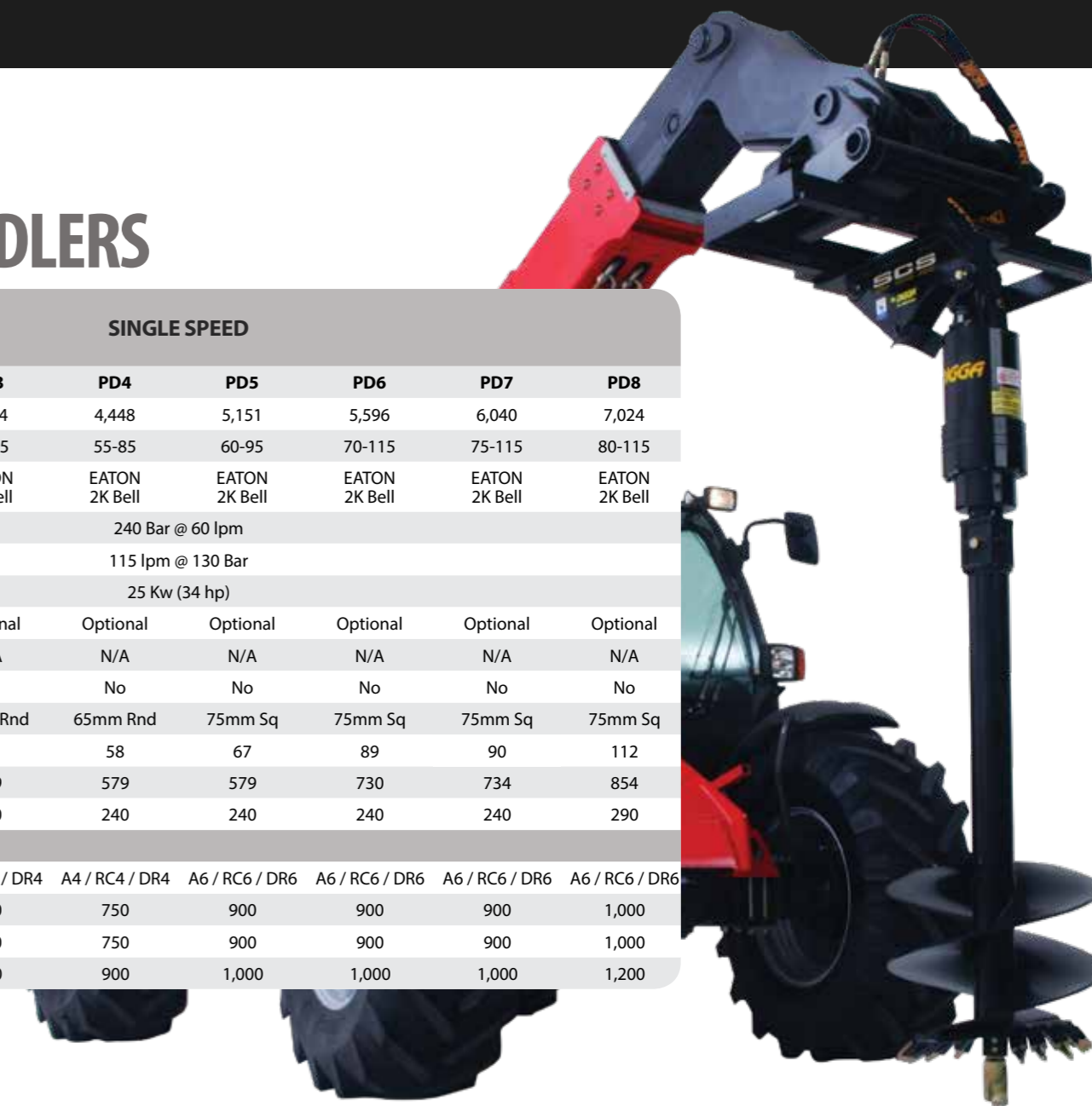
(\*) Max/min drilling diameter (DIA) dependant on ground conditions. Recommendation is a guide only.  
 (\*\*) These charts have been created as a guide only. Please see back cover for more information.



# SMALL TRUCK CRANES / TELEHANDLERS

	SINGLE SPEED							
MODEL	PDX2	PDX3	PD3	PD4	PD5	PD6	PD7	PD8
Max Torque (Nm) @ 240 Bar**	2,307	2,831	3,544	4,448	5,151	5,596	6,040	7,024
Recommended Flow (lpm)**	30-50	30-55	45-75	55-85	60-95	70-115	75-115	80-115
Motor Type	EATON 2K Bell	EATON 2K Bell	EATON 2K Bell	EATON 2K Bell	EATON 2K Bell	EATON 2K Bell	EATON 2K Bell	EATON 2K Bell
Max Pressure - Do not exceed**	240 Bar @ 60 lpm							
Max Flow - Do not exceed**	115 lpm @ 130 Bar							
Max Continuous Power**	25 Kw (34 hp)							
Pressure Relief Valve	Optional	Optional	Optional	Optional	Optional	Optional	Optional	Optional
Energy Control Valve	N/A	N/A	N/A	N/A	N/A	N/A	N/A	N/A
Case Drain Required	No	No	No	No	No	No	No	No
Standard Output Shaft	65mm Rnd	65mm Rnd	65mm Rnd	65mm Rnd	75mm Sq	75mm Sq	75mm Sq	75mm Sq
Weight (kg)	45	45	57	58	67	89	90	112
Overall Length (mm)	557	579	579	579	579	730	734	854
Diameter (mm)	187	187	240	240	240	240	240	290
Recommended Auger	A4 / RC4 / DR4	A4 / RC4 / DR4	A4 / RC4 / DR4	A4 / RC4 / DR4	A6 / RC6 / DR6	A6 / RC6 / DR6	A6 / RC6 / DR6	A6 / RC6 / DR6
Max Auger Diameter Fracturable Rock*	450	500	600	750	900	900	900	1,000
Max Auger Diameter Clay/shale (mm)*	450	500	600	750	900	900	900	1,000
Max Auger Diameter Earth (mm)*	600	600	750	900	1,000	1,000	1,000	1,200

(\*) Max/min drilling diameter (DIA) dependant on ground conditions. Recommendation is a guide only.  
 (\*\*) These charts have been created as a guide only. Please see back cover for more information.



# LARGE TRUCK CRANES 12T-30T

	SINGLE SPEED								TWO SPEED					
MODEL	PD12	PD15	PD18	PD22	PD25	PD30	PD40	PD50	PDT18	PDT22	PDT25	PDT30	PDT40	PDT50
Max Torque (Nm) @ 240 Bar**	11,268	13,918	17,630	22,176	26,267	30,543	33,041	38,420	18,344	22,606	27,373	31,829	33,733	39,224
Recommended Flow (lpm)**	70-230	70-230	70-230	70-230	70-230	70-230	70-230	70-230	40-200	40-200	40-200	40-200	40-200	40-200
Motor Type	EATON 6K Bell	EATON 6K Bell	EATON 6K Bell	EATON 6K Bell	EATON 6K Bell	EATON 6K Bell	EATON 6K Bell	EATON 6K Bell	EATON VIS	EATON VIS	EATON VIS	EATON VIS	EATON VIS	EATON VIS
Max Pressure - Do not exceed**	240 Bar @ 140 lpm								240 Bar @ 150 lpm					
Max Flow - Do not exceed**	230 lpm @ 130 Bar	210 lpm @ 145 Bar	230 lpm @ 130 Bar	230 lpm @ 130 Bar	230 lpm @ 130 Bar	230 lpm @ 130 Bar	230 lpm @ 130 Bar	230 lpm @ 130 Bar	180 lpm @ 240 Bar					
Max Continuous Power**	50 Kw (67 hp)								60 Kw (80 hp)					
Pressure Relief Valve	Included	Included	Included	Included	Included	Included	Included	Included	Included	Included	Included	Included	Included	Included
Energy Control Valve	Optional	Optional	Optional	Optional	Optional	Optional	Optional	Optional	Optional	Optional	Optional	Optional	Optional	Optional
Case Drain Required	No	No	No	No	No	No	No	No	Yes	Yes	Yes	Yes	Yes	Yes
Standard Output Shaft	75mm Sq	75mm Sq	75mm Sq	75mm Sq	100mm Sq	100mm Sq	100mm Sq	100mm Sq	75mm Sq	75mm Sq	100mm Sq	100mm Sq	100mm Sq	100mm Sq
Weight (kg)	149	176	176	176	300	300	300	300	189	190	400	400	400	400
Overall Length (mm)	950	1,006	1,006	1,006	1,152	1,152	1,152	1,152	979	979	1,217	1,217	1,217	1,217
Diameter (mm)	290	290	290	290	355	355	355	355	340	340	355	355	355	355
Recommended Auger	A8 / RC8 / DR8	A8 / RC8 / DR8	A8 / RC8 / DR8	A8 / RC8 / DR8	RC10 / RC11 / DR11	RC10 / RC11 / DR11	RC10 / RC11 / DR11	RC10 / RC11 / DR11	A8 / RC8 / DR8	A8 / RC8 / DR8	RC10 / RC11 / DR11	RC10 / RC11 / DR11	RC10 / RC11 / DR11	RC10 / RC11 / DR11
Max Auger Diameter Fracturable Rock*	1,200	1,200	1,500	1,500	1,500	1,200	1,500	1,500	1,200	1,500	1,200	1,200	1,500	1,500
Max Auger Diameter Clay/shale (mm)*	1,200	1,200	1,500	1,500	1,500	1,200	1,500	1,500	1,200	1,500	1,200	1,200	1,500	1,500
Max Auger Diameter Earth (mm)*	1,600	1,600	1,600	1,600	1,800	1,600	1,800	1,800	1,600	1,600	1,600	1,600	1,800	1,800

(\*) Max/min drilling diameter (DIA) dependant on ground conditions. Recommendation is a guide only.  
 (\*\*) These charts have been created as a guide only. Please see back cover for more information.

# HEAVY DUTY TRUCK CRANES 30T - 60T

SUPA DRIVES	SD 45	SD 50	SD 70	SD 80	SD 95
Max Torque @ 240 Bar (Nm)**	44,333	51,985	68,018	81,986	91,215
Motor Type	Radial Piston	Radial Piston	Radial Piston	Radial Piston	Radial Piston
Max Pressure - Do not exceed**	240 bar @ 380 lpm				
Max Flow - Do not exceed**	380 lpm @ 240 bar				
Max Continuous Power**	150 Kw (200 hp)				
Pressure Relief Valve	Included	Included	Included	Included	Included
Energy Control Valve	Included	Included	Included	Included	Included
Case Drain Required	Yes	Yes	Yes	Yes	Yes
Standard Output Shaft	100mm Sq	100mm Sq	100mm Sq	100mm Sq	100mm Sq
Weight (kg)	838	836	836	836	843
Overall Length (mm)	1493	1493	1493	1493	1493
Diameter (mm)	600	600	600	600	600
Recommended Auger	RC10 / RC11 / DR11	RC10 / RC11 / DR11	RC10 / RC11 / DR11	RC10 / RC11 / DR11	RC10 / RC11 / DR11
Max Auger Diameter Fracturable Rock*	1,500	1,500	1,500	1,500	1,500
Max Auger Diameter Clay/shale (mm)*	1,500	1,500	1,500	1,500	1,500
Max Auger Diameter Earth (mm)*	1,800	1,800	1,800	1,800	1,800

Custom range of heavy duty augers and extensions available.  
 (\*) Max/min drilling diameter (DIA) dependant on ground conditions. Recommendation is a guide only.  
 (\*\*) These charts have been created as a guide only. Please see back cover for more information.





## MINI LOADERS / TRACTORS

	SINGLE SPEED			
MODEL	PDD	PDX2	PDX3	PD3
Max Torque (Nm) @ 240 Bar**	1,171	2,307	2,831	3,544
Recommended Flow (lpm)**	15-45	30-50	30-55	45-75
Motor Type	EATON 2K Bell	EATON 2K Bell	EATON 2K Bell	EATON 2K Bell
Max Pressure - Do not exceed**	240 Bar @ 60 lpm			
Max Flow - Do not exceed**	115 lpm @ 135 Bar	115 lpm @ 135 Bar	115 lpm @ 135 Bar	115 lpm @ 130 Bar
Max Continuous Power**	25 Kw (34 hp)			
Pressure Relief Valve	Optional	Optional	Optional	Optional
Energy Control Valve	N/A	N/A	N/A	N/A
Case Drain Required	No	No	No	No
Standard Output Shaft	65mm Rnd	65mm Rnd	65mm Rnd	65mm Rnd
Weight (kg)	46	48	48	57
Overall Length (mm)	557	557	579	579
Diameter (mm)	187	187	187	240
Recommended Auger	A4 / RC4	A4 / RC4 / DR4	A4 / RC4 / DR4	A4 / RC4 / DR4
Max Auger Diameter Fracturable Rock*	N/A	450	500	600
Max Auger Diameter Clay/shale (mm)*	400	450	500	600
Max Auger Diameter Earth (mm)*	500	600	600	600

(\*) Max/min drilling diameter (DIA) dependant on ground conditions. Recommendation is a guide only.  
 (\*\*) These charts have been created as a guide only. Please see back cover for more information.



## SKID STEER LOADERS

	SINGLE SPEED			
MODEL	PD3	PD4	PD5	PD6
Max Torque (Nm) @ 240 Bar**	3,544	4,448	5,151	5,596
Recommended Flow (lpm)**	45-75	55-85	60-95	70-115
Motor Type	EATON 2K Bell	EATON 2K Bell	EATON 2K Bell	EATON 2K Bell
Max Pressure - Do not exceed**	240 Bar @ 60 lpm			
Max Flow - Do not exceed**	115 lpm @ 130 Bar			
Max Continuous Power**	25 Kw (34 hp)			
Pressure Relief Valve	Optional	Optional	Optional	Optional
Energy Control Valve	N/A	N/A	N/A	N/A
Case Drain Required	No	No	No	No
Standard Output Shaft	65mm Rnd	65mm Rnd	75mm Sq	75mm Sq
Weight (kg)	57	58	67	89
Overall Length (mm)	579	579	579	730
Diameter (mm)	240	240	240	240
Recommended Auger	A4 / RC4 / DR4	A4 / RC4 / DR4	A6 / RC6 / DR6	A6 / RC6 / DR6
Max Auger Diameter Fracturable Rock*	600	750	900	900
Max Auger Diameter Clay/shale (mm)*	600	750	900	900
Max Auger Diameter Earth (mm)*	750	900	1,000	1,000

(\*) Max/min drilling diameter (DIA) dependant on ground conditions. Recommendation is a guide only.  
 (\*\*) These charts have been created as a guide only. Please see back cover for more information.

## HIGH FLOW SKID STEER LOADERS

	SINGLE SPEED		TWO SPEED	
MODEL	PD4HF	PD6HF	PDT4HF	PDT6HF
Max Torque (Nm) @ 240 Bar**	4,473	5,634	4,673	5,758
Recommended Flow (lpm)**	50-150	60-150	40-120	40-150
Motor Type	EATON 6K Bell	EATON 6K Bell	EATON VIS	EATON VIS
Max Pressure - Do not exceed**	240 Bar @ 130 lpm		240 Bar @ 150 lpm	
Max Flow - Do not exceed**	170 lpm @ 180 Bar	210 lpm @ 145 Bar	180 lpm @ 200 Bar	
Max Continuous Power**	50 Kw (67 hp)		60 Kw (80 hp)	
Pressure Relief Valve	Included	Included	Included	Included
Energy Control Valve	Optional	Optional	Optional	Optional
Case Drain Required	No	No	Optional	Optional
Standard Output Shaft	75mm Sq	75mm Sq	75mm Sq	75mm Sq
Weight (kg)	125	149	134	134
Overall Length (mm)	950	950	820	820
Diameter (mm)	290	290	340	340
Recommended Auger	A6 / RC6 / DR6	A6 / RC6 / DR6	A6 / RC6 / DR6	A6 / RC6 / DR6
Max Auger Diameter Fracturable Rock*	750	900	750	900
Max Auger Diameter Clay/shale (mm)*	750	900	750	900
Max Auger Diameter Earth (mm)*	1,000	1,200	1,000	1,200



## ALSO SUITABLE FOR







**LARGE EXCAVATOR AUGERS**  
**THE NEW MULTI PURPOSE TOOL**

## AUGER DRIVES ON EXCAVATORS - ADVANTAGES

PRIMARILY USED ON SKID STEER LOADERS, THE USE OF AUGER DRIVES ON EXCAVATORS AND BACKHOES IS GROWING IN POPULARITY. WHY?

- Excavators have greater downforce than Truck Cranes and Skid Steers, therefore can drill to greater depths in harder ground and rock more efficiently & effectively.
- Quicker placement and greater productivity than truck cranes and skid steers. This is due to the excavator having a larger range of motion (high and low machine reach). Reach into locations other machines cannot.
- Minimal wear and tear on your machine compared to a rock breaker or digging operation. Drilling operation puts less load requirement on your machine.
- Maximise the earning potential of your excavator. Why pay other contractors to do the job your machine can do - And do more efficiently!
- SINGLE SPEED AND TWO SPEED DRIVES AVAILABLE



**DIGGA DRIVES CAN GO  
DOWN THE HOLE.**

***'RIGHT DOWN  
THE HOLE'***

**FOR ADDED DRILLING  
DEPTH**

# EXCAVATORS 10-20T

MODEL	SINGLE SPEED					TWO SPEED		
	PD12	PD15	PD18	PD22	PD25	PDT18	PDT22	PDT25
Max Torque (Nm) @ 240 Bar**	11,268	13,897	17,630	22,142	26,267	18,372	22,640	27,373
Recommended Flow (lpm)**	120-230	120-230	120-230	120-230	120-230	40-180	40-180	40-180
Motor Type	EATON 6K Bell	EATON 6K Bell	EATON 6K Bell	EATON 6K Bell	EATON 6K Bell	EATON VIS	EATON VIS	EATON VIS
Max Pressure - Do not exceed**	240 Bar @ 140 lpm					240 Bar @ 180 lpm		
Max Flow - Do not exceed**	230 lpm @ 130 Bar	210 lpm @ 145 Bar	230 lpm @ 130 Bar	230 lpm @ 130 Bar	230 lpm @ 130 Bar	180 lpm @ 200 Bar		
Max Continuous Power**	50 Kw (67 hp)					60 Kw (80 hp)		
Pressure Relief Valve	Included	Included	Included	Included	Included	Included	Included	Included
Energy Control Valve	Optional	Optional	Optional	Optional	Optional	Optional	Optional	Optional
Case Drain Required	No	No	No	No	No	Yes	Yes	Yes
Standard Output Shaft	75mm Sq	75mm Sq	75mm Sq	75mm Sq	100mm Sq	75mm Sq	75mm Sq	100mm Sq
Weight (kg)	149	176	176	176	300	392	392	400
Overall Length (mm)	950	1,006	1,006	1,006	1,152	979	979	1,217
Diameter (mm)	290	290	290	290	355	340	340	355
Recommended Auger	A8 / RC8 / DR8	A8 / RC8 / DR8	A8 / RC8 / DR8	A8 / RC8 / DR8	RC10 / RC11 / DR11	A8 / RC8 / DR8	A8 / RC8 / DR8	RC10 / RC11 / DR11
Max Auger Diameter Fracturable Rock*	1,200	1,200	1,500	1,500	1,500	1,200	1,500	1,200
Max Auger Diameter Clay/shale (mm)*	1,200	1,200	1,500	1,500	1,500	1,200	1,500	1,200
Max Auger Diameter Earth (mm)*	1,600	1,600	1,600	1,600	1,800	1,600	1,600	1,600

(\*) Max/min drilling diameter (DIA) dependant on ground conditions. Recommendation is a guide only.  
 (\*\*) These charts have been created as a guide only. Please see back cover for more information.

## No two way flow on your machine? No problem.

Digga provide 2 solutions: Machine mounted, or mounted inside the drive for maximum ease of use. See page 29



# EXCAVATORS 20-50T

MODEL	SINGLE SPEED				TWO SPEED			
	PD25	PD30	PD40	PD50	PDT25	PDT30	PDT40	PDT50
Max Torque (Nm) @ 240 Bar**	26,267	30,543	33,041	38,420	27,373	31,829	33,733	39,224
Max Recommended Flow (lpm)**	120-230	120-230	120-230	120-230	40-180	40-180	40-180	40-180
Motor Type	EATON 2K Bell	EATON 2K Bell	EATON 2K Bell	EATON 2K Bell	EATON VIS	EATON VIS	EATON VIS	EATON VIS
Max Pressure - Do not exceed**	240 Bar @ 130 lpm				240 Bar @ 150 lpm			
Max Flow - Do not exceed**	230 lpm @ 130 Bar				180 lpm @ 200 Bar			
Max Continuous Power**	50 Kw (67 hp)				60 Kw (80 hp)			
Pressure Relief Valve	Included	Included	Included	Included	Included	Included	Included	Included
Energy Control Valve	Optional	Optional	Optional	Optional	Optional	Optional	Optional	Optional
Case Drain Required	No	No	No	No	Yes	Yes	Yes	Yes
Standard Output Shaft	100mm Sq	100mm Sq	100mm Sq	100mm Sq	100mm Sq	100mm Sq	100mm Sq	100mm Sq
Weight (kg)	300	300	300	300	305	400	400	400
Overall Length (mm)	1,152	1,152	1,152	1,152	1,217	1,217	1,217	1,217
Diameter (mm)	355	355	355	355	355	355	355	355
Recommended Auger	RC10 / RC11 / DR11	RC10 / RC11 / DR11	RC10 / RC11 / DR11	RC10 / RC11 / DR11	RC10 / RC11 / DR11	RC10 / RC11 / DR11	RC10 / RC11 / DR11	RC10 / RC11 / DR11
Max Auger Diameter Fracturable Rock*	1,200	1,200	1,500	1,500	1,200	1,200	1,500	1,500
Max Auger Diameter Clay/shale (mm)*	1,200	1,200	1,500	1,500	1,200	1,200	1,500	1,500
Max Auger Diameter Earth (mm)*	1,600	1,600	1,800	1,800	1,600	1,600	1,800	1,800

(\*) Max/min drilling diameter (DIA) dependant on ground conditions. Recommendation is a guide only.  
 (\*\*) These charts have been created as a guide only. Please see back cover for more information.





## SUPER HEAVY DUTY DRILLING

### LARGE EXCAVATORS 20T - 50T

SUPA DRIVES	SD 45	SD 50	SD 70	SD 80	SD 95
Max Torque @ 240 Bar (Nm)**	44,333	51,985	68,018	81,986	91,215
Motor Type	Radial Piston	Radial Piston	Radial Piston	Radial Piston	Radial Piston
Max Pressure - Do not exceed**	240 bar @ 380 lpm				
Max Flow - Do not exceed**	380 lpm @ 240 bar				
Max Continuous Power**	150 Kw (200 hp)				
Pressure Relief Valve	Included	Included	Included	Included	Included
Energy Control Valve	Included	Included	Included	Included	Included
Case Drain Required	Yes	Yes	Yes	Yes	Yes
Standard Output Shaft	100mm Sq	100mm Sq	100mm Sq	100mm Sq	100mm Sq
Weight (kg)	838	836	836	836	843
Overall Length (mm)	1493	1493	1493	1493	1493
Diameter (mm)	600	600	600	600	600
Recommended Auger	RC11 / DR11	RC11 / DR11	RC11 / DR11	RC11 / DR11	RC11 / DR11
Max Auger Diameter Fracturable Rock*	1,500	1,500	1,800	1,800	2,000
Max Auger Diameter Clay/shale (mm)*	1,800	1,800	2,000	2,000	2,200
Max Auger Diameter Earth (mm)*	2,000	2,000	2,200	2,200	2,500

(\*) Max/min drilling diameter (DIA) dependant on ground conditions. Recommendation is a guide only.

(\*\*) These charts have been created as a guide only. Please see back cover for more information.

# AUGERS

## TRUE CUT AUGERS

### DIGGA AUGERS CUT A TRUE SIZED HOLE, NOT AN OVERSIZED HOLE

Digga True Cut design ensures a 300mm auger, drills a 300mm hole. Built tough with heavy duty pipe, shallow pitch flights and high efficiency cutting heads to maximise your drilling performance. Fitted with a range of quality wear parts providing superior wear and performance.

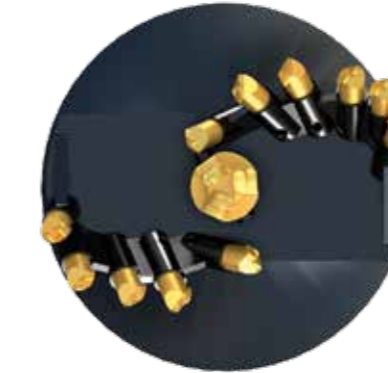
#### EARTH AUGERS (A4, A6, A8) BLADED TEETH EARTH/CLAY/SHALE



#### ALL PURPOSE EARTH AUGER FOR GENERAL DRILLING

Efficient and cost effective auger for general purpose drilling in earth, clay, shale and soft rocks. Available in earth or multi-facet tungsten (MFT) providing longer wear life and greater cutting performance.

#### ROCK/COMBINATION AUGER (RC4, RC6, RC8, RC10, RC11) TAPER TEETH (ALL GROUND CONDITIONS)



#### TAPER TEETH DESIGN THE ULTIMATE ALL PERFORMANCE AUGER

The angle and geometry of the teeth to the pilot is the key to the efficiency in which these augers perform. Essentially two augers in one, this auger is fitted with Tungsten Taper Teeth for the ultimate ripping ability in fracturable rock, permafrost and general earth conditions.

#### ROCK AUGER (DR4, DR6, DR8, DR11) ROTATING ROCK PICK TEETH (SHALE/FRACTURABLE ROCK)



#### HEAVY DUTY AUGER FOR DEDICATED ROCK DRILLING

DIGGA'S Rock augers - heavy duty engineered design, with high efficiency cutting heads to maximise your rock drilling performance. Fitted with a range of quality wear parts providing superior wear and performance.

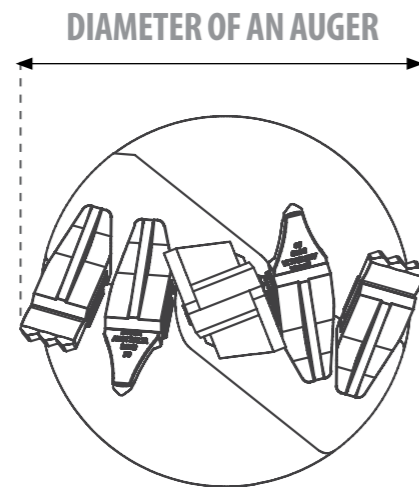


## DIGGA CUTTING SYSTEMS

The cutting head is the most crucial part of the auger and is where Digga technology exceeds the rest of the market. Digga cutting heads are optimised for the most efficient cutting angles and rotational cutting efficiency. Choosing the right cutting head with correct teeth and pilot combinations is essential to ensuring maximum customer satisfaction.

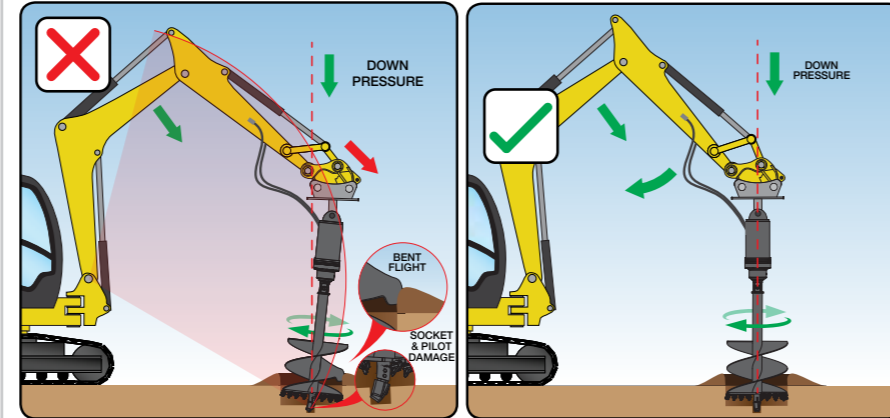
## HOW TO MEASURE AN AUGER

DIGGA AUGERS ARE MEASURED FROM TIP TO TIP OF THE TEETH. THE CUTTING HEAD IS WHAT CUTS THE HOLE.

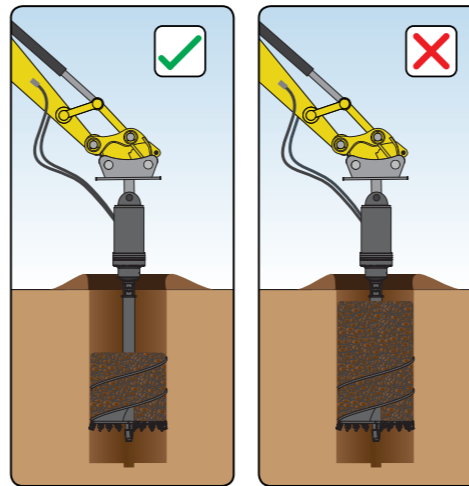


Natural arc movement of the boom causes the dipper arm to move out of vertical alignment as it is raised or lowered. Constant operator adjustments are required to maintain vertical alignment. Failure to do so will create significant side load on the auger drive and auger.

Digga auger drives are pendulum drills designed to hang freely from the excavator mount. Excessive side load may result in bent auger flights, pipe and hubs as well as potential damage to the auger drive shaft, seals and gearbox. Excessive side load may also cause socket and pilot breakage especially when drilling into hard ground.



Auger flights are designed to move soil away from the cutting head for more efficient drilling. They are not intended to carry excessive spoil from the hole. Never fill the auger past the level of the last flight. Attempting to pull an auger out of the hole with spoil over the last flight may result in damage to the auger flights, hub and drive unit.



## AUGER SPECIFICATION

### MACHINES 750KG TO 4.5T

MICRO, MINI EXCAVATORS, SKID STEER LOADERS, TRUCK CRANES

### MACHINES 4.5T - 10T

HIGH FLOW SKID STEER LOADERS, TRUCK CRANES, EXCAVATORS, BACKHOES, TELEHANDLERS

MODEL	A4	RC4	DR4	A6	RC6	DR6
DRILLING CONDITIONS	GENERAL	COMBO ROCK/EARTH	DEDICATED ROCK AUGER	GENERAL	COMBO ROCK/EARTH	DEDICATED ROCK AUGER
HUB	65mm Round	65mm Round	65mm Round	75mm Square	75mm Square	75mm Square
OPTIONAL HUB	50.8mm Round 57mm Square 75mm Square	50.8mm Round 57mm Square 75mm Square	50.8mm Round 57mm Square 75mm Square	57mm Square	57mm Square	57mm Square
OAL	1,200mm	1,200mm	1,200mm	1,500mm	1,500mm	1,500mm
PIPE	90mm	90mm	90mm	114mm	114mm	114mm
FLIGHTS (lead)	8mm	8mm	12mm	8mm	8mm	16mm
FLIGHTS (carry)	8mm	8mm	10mm	8mm	8mm	10mm
TEETH	TS	TTS/TTD	19mm Rotating Rock Pick	TM	TT	19mm Rotating Rock Pick
PILOT	PM-SQ	PM-SQ	DP-UAP-API-SA	PM-HX-3	PM-HX-3	DP-UAPC3-SA
MAX DIA*	900mm	600mm	600mm	1,500mm	1,500mm	900mm
IDEAL DRIVES	PDD-PD4	PD-PD4	PD3-PD5	PD4-PD10HF	PD4-PD10HF	PD4-PD7
OPTIMUM DRILLING SPEEDS (RPM)						
EARTH	55-65	55-65	-	55-65	55-65	-
CLAY	45-55	45-55	-	45-55	45-55	-
SHALE (FRACTURABLE ROCK)	25-45	25-45	25-45	25-45	25-45	25-45
HEAVY ROCK	-	-	10-25	-	-	10-25

(\*) Larger sizes are available on request.

# AUGER SPECIFICATION

## EXCAVATORS/MACHINES 10T - 20T

MODEL	A8	RC8	DR8	RC10	RC11	DR11
DRILLING CONDITIONS	GENERAL	COMBO ROCK/EARTH	DEDICATED ROCK AUGER	COMBO ROCK/EARTH	COMBO HEAVY DUTY ROCK/EARTH	DEDICATED ROCK AUGER
HUB	75mm Square	75mm Square	75mm Square	100mm Square	100mm Square	100mm Square
OPTIONAL HUB	100mm Square	100mm Square	100mm Square	75mm Square	75mm Square	75mm Square 130mm Square
OAL	1,500mm	1,500mm	2,00mm	1,500	1,500	2,000mm
PIPE	76mm-168mm	76mm-168mm	132mm	76mm-168mm	114mm-168mm	132mm-168mm
FLIGHTS (lead)	10mm	10mm	20mm	12mm-16mm	12mm-16mm	25mm
FLIGHTS (Carry)	10mm	10mm	16mm	12mm-16mm	12mm-16mm	20mm
TEETH	TM	TTD	19mm Rotating Rock Pick	TTD	TTL	25mm Rotating Rock Pick
PILOT	PM-HX-3	PH-3	DP-UAPC3-SA	PH-3	PH-3-XL	DP-UAPC31-SA
MAX DIA*	1,500mm	1,500mm	1,800mm	1,500mm	2,000mm	2,000mm
IDEAL DRIVES	PD12-PD18	PD12-25	PD8HF-PD22	PD22-PD50	PD25-PD50	PD25-PD50
OPTIMUM DRILLING SPEEDS (RPM)						
EARTH	55-65	55-65	-	55-65	55-65	-
CLAY	45-55	45-55	-	45-55	45-55	-
SHALE (FRACTURABLE ROCK)	25-45	25-45	25-45	25-45	25-45	25-45
HEAVY ROCK	-	10-25	10-25	10-25	10-25	10-25

(\* Larger sizes are available on request.

## EXCAVATORS/MACHINES 20T - 30T

# AUGER WEAR PARTS

## AUGER TEETH & PILOTS

OUR EXTENSIVE RANGE OF WEAR PARTS ARE DESIGNED TO SUIT MOST AUGERS AND GROUND CONDITIONS.

Digga Wear Parts are cast to the highest quality and utilise premium grade tungsten carbide to ensure maximum wear life. Fitted with Digga's advanced PADLOC tooth locking system, your auger has never been so easy to maintain.

### WHAT IS PADLOCK?

Padlock tooth retaining system utilises heavy duty rubber pads vulcanised onto the metal legs of the teeth. Ensuring your teeth are locked in tight, but allowing for easy replacement in the field.

- 1 Step tooth replacement process - Knock in, knock out
- Fits most types of pockets and wearparts
- No special tools required

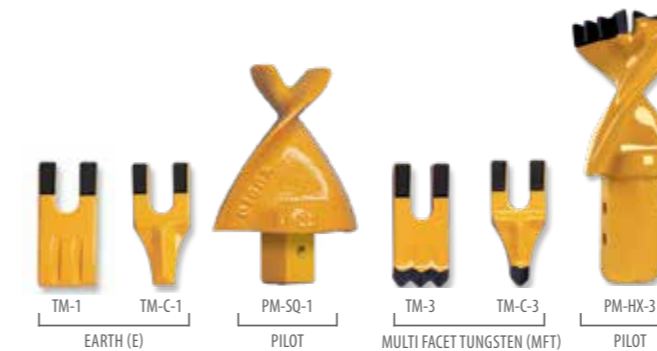
### BLADE & CHISEL TEETH TO SUIT A4 AUGERS



### ROCK/COMBINATION TAPER TEETH TO SUIT RC4, RC6, RC8, RC10 & RC11 AUGERS



### BLADE & CHISEL TEETH TO SUIT A6 AND A8 AUGERS



### ROTATING ROCK PICKS TO SUIT DR4, DR6, DR8 & DR11 DEDICATED ROCK AUGERS



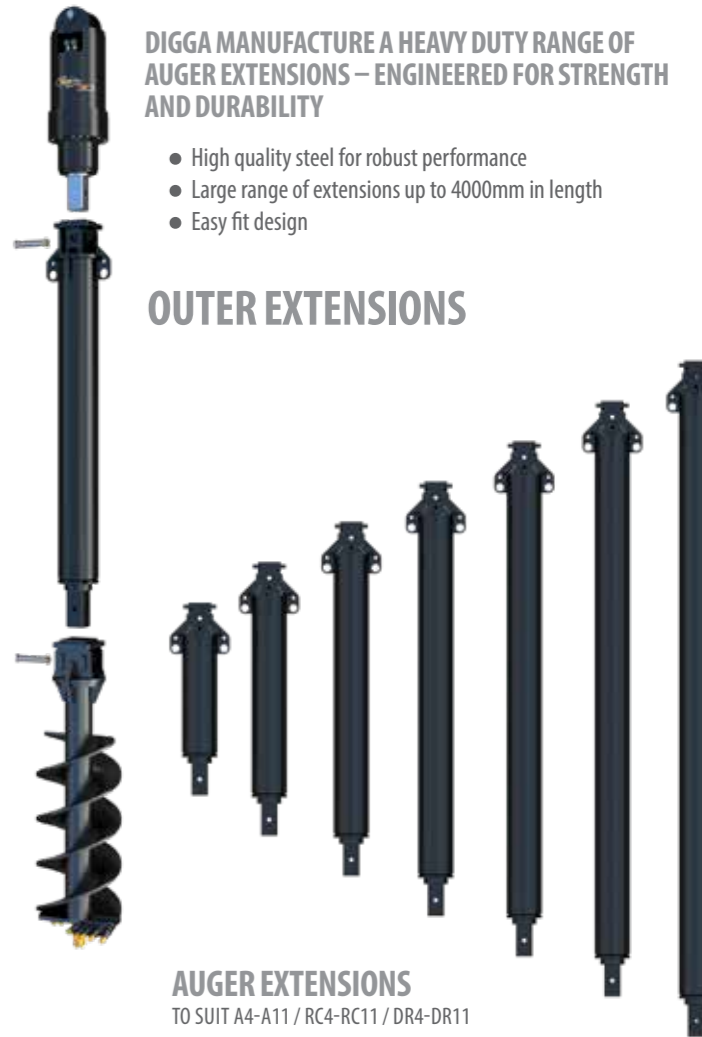
IDEALLY SUITED FOR FRACTURABLE ROCK, CONCRETE AND ABRASIVE CONDITIONS. DIMPLED RETAINER PROVIDES INCREASED HOLDING POWER IN GROOVED BLOCKS.

# EXTENSIONS

DIGGA MANUFACTURE A HEAVY DUTY RANGE OF AUGER EXTENSIONS – ENGINEERED FOR STRENGTH AND DURABILITY

- High quality steel for robust performance
- Large range of extensions up to 4000mm in length
- Easy fit design

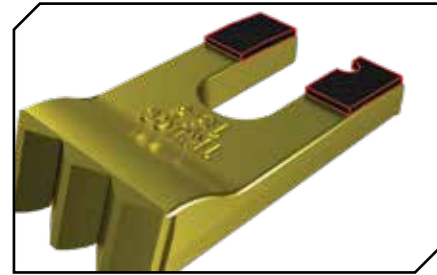
## OUTER EXTENSIONS



AUGER EXTENSIONS TO SUIT A4-A11 / RC4-RC11 / DR4-DR11

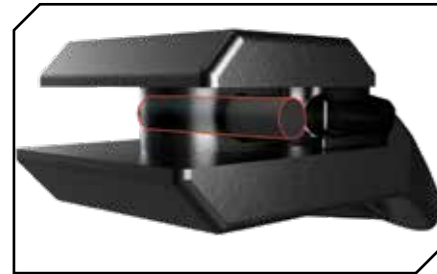
## DIGGA'S NEW TOOTH LOCKING SYSTEM

DIGGA'S NEW TRULOC AUGER TOOTH PROVIDE A 3-WAY LOCKING SYSTEM, EASY TO REMOVE PIN AND ANTI-TWIST CHANNELS.



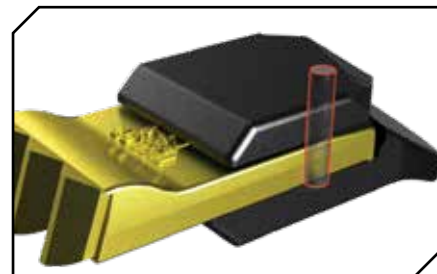
### PADLOC

The rubber lock is vulcanised onto the tooth legs to provide the compression for a firm fit inside the pocket. No special tools are required to remove the tooth. Ideal when drilling in clean soil.



### RUBBER LOC

Rubber dowel is inserted through the pocket bridge. It folds back and compresses between pocket and tooth, locking the tooth firmly in position. No special tools are required to remove the tooth. Ideal for drilling in hard soils with some debris or loose rocks.

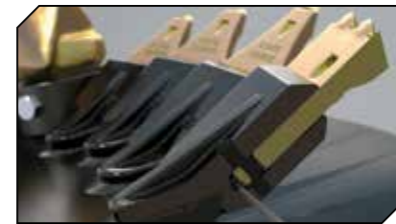


### PIN LOC

A Nylon pin is inserted through the top of the pocket, locking the tooth in place. The pin can be removed using a hole punch or by breaking the pin. Ideal for drilling in hard to very hard soils and rock.

## EASY TOOTH REMOVAL

PUNCH THE PIN OUT



OR SIMPLY BREAK THE PIN

## TOOTH RANGE



**EARTH TOOTH**  
IDEAL FOR SOFT EARTH DRILLING



**MFT TOOTH**  
IDEAL FOR DRILLING INTO HARD GROUND

## TELESCOPIC EXTENSION MOUNT EXCAVATOR HITCHES

NEED THAT EXTRA REACH?  
EFFECTIVELY INCREASING YOUR REACH  
FOR ADDED DRILLING DEPTH OR  
HELICAL PILE INSTALLATION

- Designed to be used with Drives up to 22,000 Nm
- Unique design gives the operator greater range & visibility



DIGGA MANUFACTURES A RANGE OF HITCHES FOR EXCAVATORS OF UP TO 90T. CONFIGURATIONS INCLUDE FIXED AND LOOSE PIN.

### SINGLE PIN HITCH



### DOUBLE PIN HITCH



### CRADLE HITCH



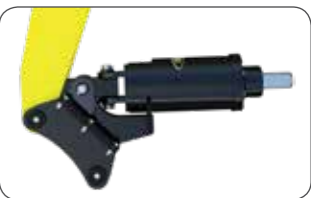
## SKID STEER LOADER FRAME

A side shift frame is available for most skid steer loaders, and tele-handlers. The Side Shift frames feature a slide cradle which allows the user to offset the attachment mounted on the frame, enabling trenching and drilling close to structures. Other frames available on request.



## BACKHOE HITCH

Designed to provide safer drive unit transportation between holes, the backhoe cradle hitch is available with optional carry strap.



# MACHINE MOUNTS

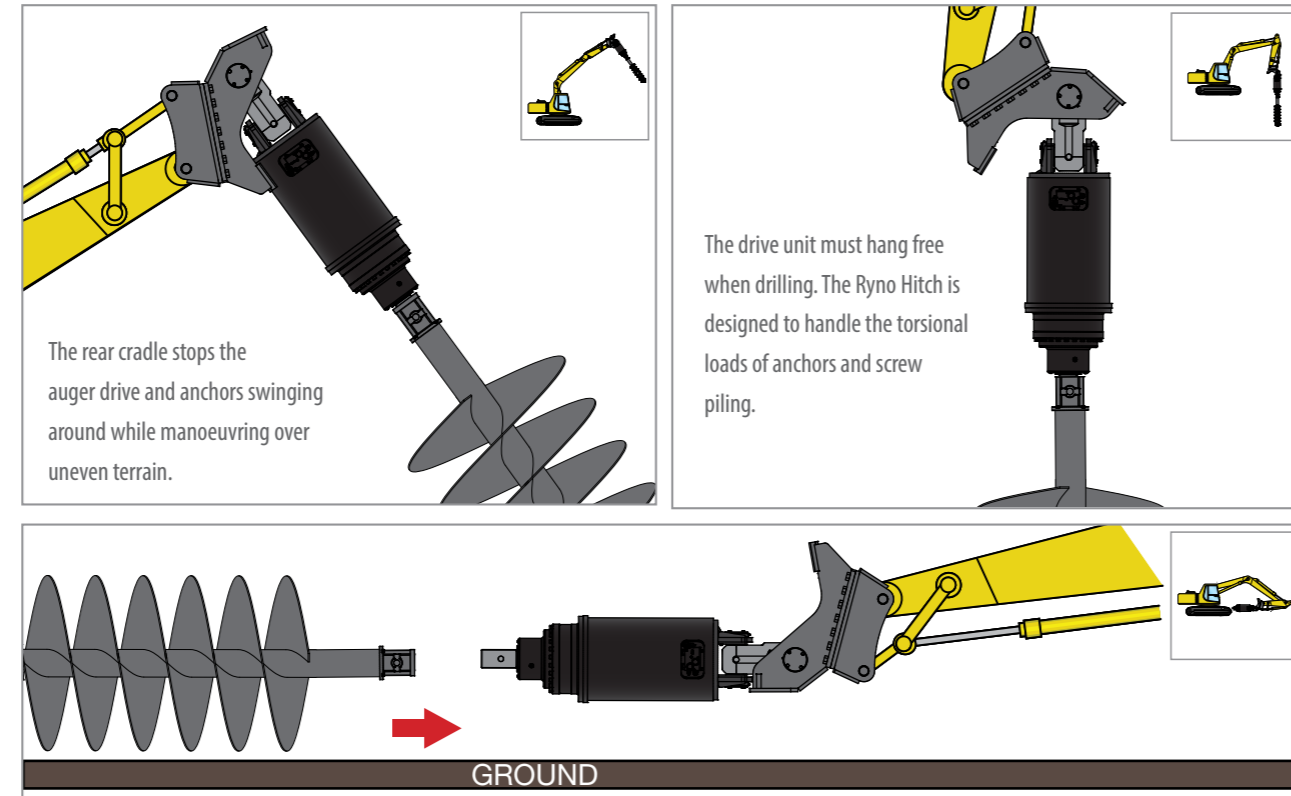


## RYNO HITCH

### TO SUIT PD12-XD500 DRIVE UNITS

DEVELOPED FOR FASTER CONNECTION TO THE AUGER OR PILE, THE RYNO HITCH HAS BEEN DESIGNED TO HANDLE THE TORSIONAL LOADS OF LARGE AUGERS AND HELICAL SCREW PILING.

The Ryno Hitch front cradle allows operators to angle the drive unit up to 90° for easy connection to augers or anchors while a rear cradle stops the drive or anchor from swinging whilst manoeuvring over uneven terrain.



# MACHINE MOUNTS

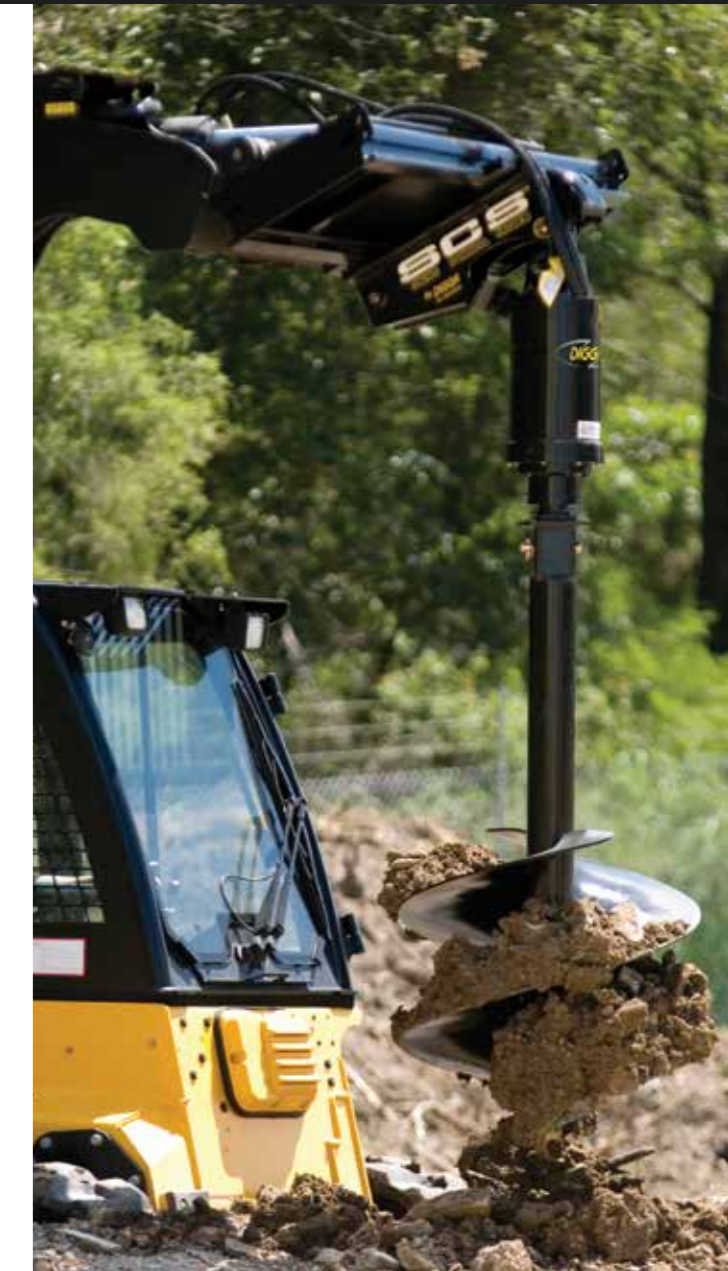
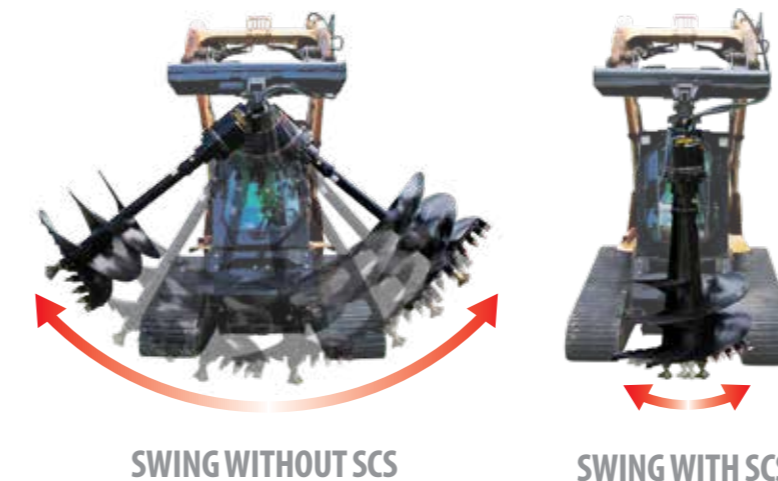
## SWING CONTROL SYSTEM

### PENDULUM DAMPENING SYSTEM FOR AUGER DRILLING

Integrated into the machine mount & drive bail, this multi-award winning design doesn't depend on friction or cradles and is fully independent of your hydraulic system. Digga's patented Swing Control system (SCS) is the most revolutionary pendulum dampening system in the world today.

Its unique design means the faster you move, the quicker the drive unit stops. SCS controls the pendulum actions of your auger making it easier to operate and control, safer in the work site, and greatly improving operator efficiency and effectiveness.

- Swing Control requires no additional hydraulics - Unique independent dampening cylinders control forward/aft and side to side movement
- Swing Control can also be retrofitted to existing Digga auger drives
- Increases worksite safety and productivity



## DIGGALIGN AUGER/PIER ALIGNMENT SYSTEM

INDICATES WHEN THE AUGER OR PIER IS STRAIGHT

The New Diggalign Inclinometer was developed for contractors where accuracy is key. Ideal for augering, screw anchoring, piling and core barrelling applications.

Designed to show the operator when the top of the pylon/pile/auger is off plumb, helps to maintain accuracy throughout the installation.

### FEATURES

- 2 Options available
  - Standard definition with increments in 2°, recommended for piles/augering applications under 4m
  - High definition with increments in 0.5°, recommended for piles/augering applications over 4m
- Can be retrofitted to existing drives
- Can be calibrated for angles up to 20°
- Highlights misalignment forward and aft
- Dual supply cable with both 12V and 24V



## 2 WAY FLOW VALVE

DOES YOUR EXCAVATOR ONLY HAVE A SINGLE FLOW HAMMER CIRCUIT?

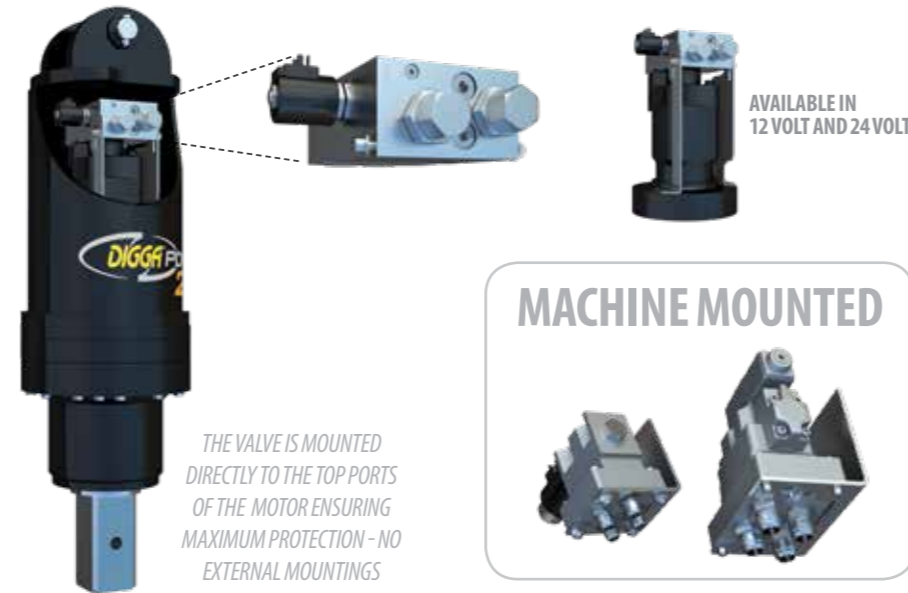
NEED AN EASY WAY TO REVERSE YOUR DRIVE?

2 COST EFFECTIVE SOLUTIONS INTEGRATED AND MACHINE MOUNTED

### INTEGRATED VALVE

Flow reversal Valves for easy two way (Bi-Directional) use of your drive unit. Utilising the flow from your hammer circuit, forward and reverse control is obtained via an electrical signal either 12 or 24 volt. Rated to ensure low pressure drop for the specific valve and drive unit. (more power to your drive head).

Optional electrical wiring kits utilise high quality weather proof Deutsch connectors.



THE VALVE IS MOUNTED DIRECTLY TO THE TOP PORTS OF THE MOTOR ENSURING MAXIMUM PROTECTION - NO EXTERNAL MOUNTINGS

AVAILABLE IN 12 VOLT AND 24 VOLT

MACHINE MOUNTED



**TRENCHERS**  
**ENGINEERED FOR PERFORMANCE**



# BIGFOOT TRENCHERS

## WORK SMARTER, WORK FASTER

THE DIGGA BIGFOOT RANGE OF TRENCHERS IS THE ULTIMATE IN TRENCHING PRECISION, POWER AND EFFICIENCY ENSURING MAXIMUM RETURNS ON YOUR ATTACHMENT INVESTMENT

### NOT JUST FOR SKID STEER LOADERS

ALSO A GREAT ATTACHMENT FOR YOUR EXCAVATOR. TRENCH MORE EFFICIENTLY AND MORE ACCURATELY THAN A BUCKET OR HOE AND IN LESS TIME.



Powered by a compact DIGGA planetary gearbox and EATON hydraulic motor, your guarantee of quality and superior performance.



### HEAD START CRUMBER SYSTEM (PATENT PENDING)

Super heavy duty spring-loaded crumber design ensures you can start trenching with the crumber in the ground. This eliminates the need to step out of the host machine once the trench has started - saving you time.



### ADVANCED HIGH VISIBILITY ADJUSTABLE DEPTH CONTROL FOOT

Precision depth control skid, Digga advanced design allows the operator to see the foot ensuring the correct depth is being reached. Unique design feeds spoil overburden back onto the chain, leaving a clean working side of the trench.



### BARREL AND SPOIL AUGER SYSTEM

A large barrel and spoil auger optimally removes the spoil faster increasing efficiency and productivity. Efficient spoil clearance increases the cutting productivity of the chain by reducing the amount of dirt which falls back in the trench.

## MACHINES UP TO 1.5T

MINI LOADERS

	MINI
<b>Cutting Depth</b>	<b>Up to 900mm</b>
Cutting Width (mm)	100 / 150 / 200
Foot Depth Presets	450 / 600 / 750 / 900
Recommended Flow (lpm)**	40-90
Motor Type	2K Bell EATON
Max Pressure - Do not exceed**	240 Bar @ 60 lpm
Max Flow - Do not exceed**	95 lpm @ 200 bar
Max Continuous Power**	25 Kw (34 hp)
Length (mm)	1,402
Horizontal Height (mm)	645
Width (mm)	960
Weight - 150mm Combo Chain (Kg)	TBA
Machine: 750kg-2t	✓
Mini Excavator	-
Skid Steer Loader: Std Flow	-
Excavator: 3.5-8t	-

## 2.5T-4.5T

MINI MACHINES, SKID STEER LOADERS, EXCAVATORS

	BFT 900
<b>Cutting Depth</b>	<b>Up to 900mm</b>
Cutting Width (mm)	100 / 150 / 200
Foot Depth Presets	600 / 750 / 900
Recommended Flow (lpm)**	50-95
Motor Type	2K Bell EATON
Max Pressure - Do not exceed**	240 Bar @ 60 lpm
Max Flow - Do not exceed**	95 lpm @ 200 bar
Max Continuous Power**	25 Kw (34 hp)
Length (mm)	1,920
Horizontal Height (mm)	668
Width (mm)	1,212
Weight - 150mm Combo Chain (Kg)	261
Machine: 750kg-2t	-
Mini Excavator	✓
Skid Steer Loader: Std Flow	✓
Excavator: 3.5-8t	✓

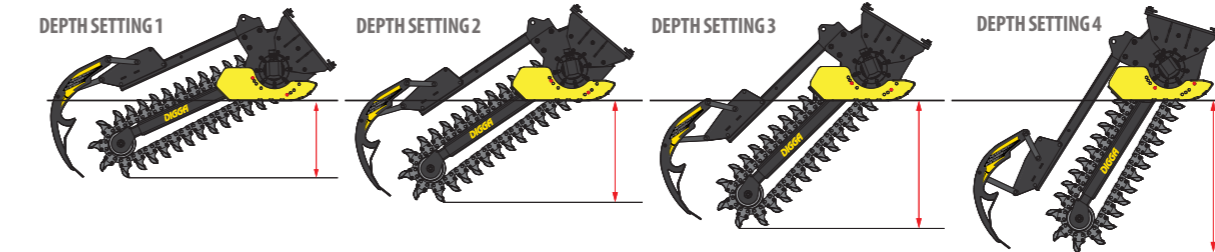
## 5T-8T

SKID STEER LOADERS, EXCAVATORS, TELEHANDLERS, BACKHOES

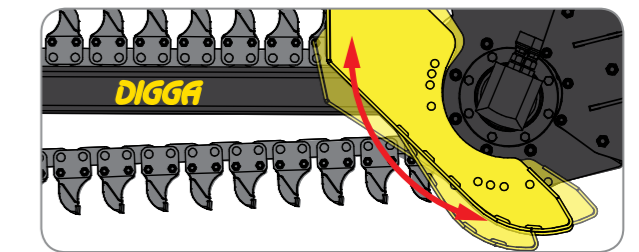
	XD 900*	XD 1200	XD 1200 HF*	XD 1500 HF
<b>Cutting Depth</b>	<b>Up to 900mm</b>	<b>Up to 1200mm</b>	<b>Up to 1200mm</b>	<b>Up to 1500mm</b>
Cutting Width (mm)	150 / 200 / 250 / 300	150 / 200 / 250 / 300	150 / 200 / 250 / 300	150 / 200 / 250 / 300
Foot Depth Presets	450 / 600 / 750 / 900	600 / 800 / 1000 / 1200	600 / 800 / 1000 / 1200	750 / 1000 / 1250 / 1500
Recommended Flow (lpm)**	60-115	60-115	85-160	85-160
Motor Type	2K Bell EATON	2K Bell EATON	6K Bell EATON	6K Bell EATON
Max Pressure - Do not exceed**	240 Bar @ 60 lpm	240 Bar @ 60 lpm	240 Bar @ 130 lpm	240 Bar @ 130 lpm
Max Flow - Do not exceed**	95 lpm @ 200 bar	95 lpm @ 200 bar	160 lpm @ 190 Bar	160 lpm @ 190 Bar
Max Continuous Power**	25 Kw (34 hp)	25 Kw (34 hp)	50 Kw (67 hp)	50 Kw (67 hp)
Length (mm)	2,225	2,532	2,532	2,689
Horizontal Height (mm)	777	777	777	836
Width (mm)	1,212	1,212	1,212	1,138
Weight - 150mm Combo Chain (Kg)	388	405	424	461
Machine: 750kg-2t	✓	✓	-	-
Mini Excavator	✓	✓	✓	✓
Skid Steer Loader: Std Flow	✓	✓	✓	✓
Excavator: 3.5-8t	✓	✓	✓	✓

\*Available upon request. (\*\*) These charts have been created as a guide only. Please see back cover for more information

## UP TO 4 PRESET DIGGING DEPTHS



## MULTIPLE PRESET DIGGING DEPTHS



# HYDRIVE TRENCHERS AND CHAIN OPTIONS

## MACHINES UP TO 3.5T

SKID STEER LOADERS, EXCAVATORS, TELEHANDLERS

	900*	1200	XD 1200
<b>Cutting Depth</b>	<b>Up to 900mm</b>	<b>Up to 1200mm</b>	<b>Up to 1200mm</b>
Cutting Width (mm)	100 / 150 / 200 / 250 / 300	100 / 150 / 200 / 250 / 300	150 / 200 / 250 / 300 / 350
Recommended Flow (lpm)**	50-80	55-95	60-115
Motor Type	2K Bell EATON	2K Bell EATON	2K Bell EATON
Max Pressure - Do not exceed**	240 Bar @ 60 lpm	240 Bar @ 60 lpm	240 Bar @ 60 lpm
Max Flow - Do not exceed**	75 lpm @ 200 bar	75 lpm @ 200 bar	115 lpm @ 130 bar
Max Continuous Power**	25 Kw (34 hp)	25 Kw (34 hp)	25 Kw (34 hp)
Length (mm)	1,888	2,160	2,478
Horizontal Height (mm)	802	802	957
Width (mm)	1,212	1,212	1,212
Skid Steer Loader: Std Flow	✓	✓	-
Skid Steer Loader: High Flow	✓	✓	✓
Backhoe	-	-	-
Excavator: 3.5-8t	-	-	-

\*Available upon request.

(\*\*) These charts have been created as a guide only. Please see back cover for more information.

### GET READY FOR SOME SERIOUS TRENCHING!

DIGGA'S HYDRIVE RANGE OF TRENCHERS BOASTS UNIQUE DRIVE SYSTEM POSITIONING WHICH ALLOWS FOR MORE USABLE HORSE POWER, PROVIDING GREATER EFFICIENCY FOR HIGHLY EXPERIENCED OPERATORS. TWIN SPOIL AUGERS REMOVE FINELY CRUMBLLED SPOIL TO BOTH SIDES OF THE TRENCH.



## 5T-8T

EXCAVATORS, TELEHANDLERS



### EARTH

Cup tooth on every second station  
Ideal for soft clean ground, clay with no loose rocks or tree roots



### COMBINATION

Combination of Earth and Tungsten teeth  
Suitable for most applications. Cuts through hard soils, roots, soft shale and rocky ground



### DIGGATAC

Full Tungsten teeth on every station  
Best for rocky hard shale, asphalt and frozen ground

	EARTH	COMBO	DIGGATAC
Mini Bigfoot & Standard Bigfoot	✓	✓	✓
Bigfoot XD1200 & XD1500	✗	✓	✓
Hydrive Standard	✗	✓	✓
Hydrive XD	✗	✓	✓

	EARTH	COMBO	DIGGATAC
Cutting Width (mm)	100-350	100-350	100-350
Digga Trencher Suitability	All	All	All
Soft Ground / Clay	✓	✓	✓
Hard Soil / Roots / Soft Shale / Rocky Ground	-	✓	✓
Rocky Hard Shale / Asphalt / Frozen Ground	-	-	✓

# ONE MAN POST HOLE BORER

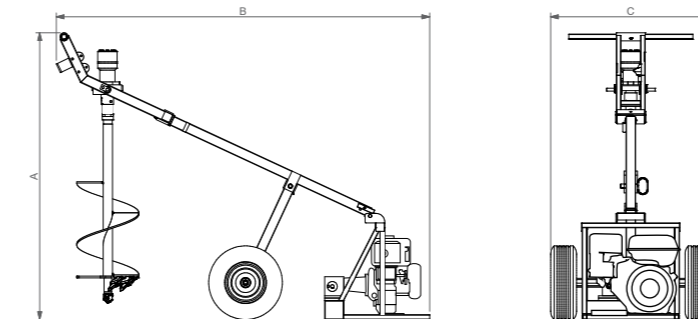


Digga's One Man Post Hole Borer is safe and powerful yet won't throw the operator about. With its durable rubber tyres the Little Digga is easy to move around making it perfect for fencing, post holes, tree planting and various agricultural and construction uses.

## FEATURES

- Anti-kick back for safe operation
- Hydraulic power with reverse option
- Collapses into 5 sections for easy transportation
- Uniquely balanced for easy operation
- Handle shifts for close up digging
- Heavy duty augers with quality cutting tips
- A1 auger's unique design reduces jamming

	9HP
Height (A)	1500mm
Length (B)	1950mm
Width (C)	840mm
Weight (no motor)	77kg
Motor Weight	28kg
Max Auger Size	325mm



# OVER 30 YEARS OF DESIGN, TESTING & MANUFACTURING EXPERIENCE



## DIGGA EUROPE

UNIT 6, SMITHAM BRIDGE ROAD  
HUNGERFORD TRADING CENTRE  
HUNGERFORD, BERKSHIRE, RG17 0QU, UK

PH: +44 (0) 1488 688 550  
MOBILE: +44 (0) 7739 754 161  
EMAIL: [INFO@DIGGAEUROPE.COM](mailto:INFO@DIGGAEUROPE.COM)

[WWW.DIGGAEUROPE.COM](http://WWW.DIGGAEUROPE.COM)

## DIGGA AUSTRALIA

4 OCTAL STREET  
YATALA QLD 4207  
AUSTRALIA

PH: +61 (0) 7 3807 3330  
MOBILE: +61 (0) 418 343 241  
EMAIL: [INFO@DIGGA.COM](mailto:INFO@DIGGA.COM)

[WWW.DIGGA.COM](http://WWW.DIGGA.COM)

## DIGGA NORTH AMERICA

2325 INDUSTRIAL PARKWAY SW  
DYERSVILLE, IA 52040  
USA

PH: +1 563 875 7915  
CELL: +1 563 845 9166  
EMAIL: [INFO@DIGGAUSA.COM](mailto:INFO@DIGGAUSA.COM)

[WWW.DIGGAUSA.COM](http://WWW.DIGGAUSA.COM)

\*\* Specifications charts have been created as a guide only, performance figures are theoretical. Digga Europe Ltd accepts no responsibility/liability for any direct or indirect loss caused to person(s) who use this guide. Suitable test equipment must be used to obtain accurate values. Any data or specification contained within this documentation may be subject to change without prior notification. For further information please contact your authorised Digga distributor.